

NEW PRODUCT

feature guide



ROVIX₃ *maxX*

the COMPLETE SOLUTION

The X3 Power Base from ROVI Mobility is the perfect complement to Motion Concepts' full line of innovative power positioning products and Invacare® Matrx® Seating Solutions! Available exclusively through Motion Concepts, the innovative and exciting X3 boasts the narrowest wheelbase in the industry and all the function and durability you have come to expect from Motion Concepts.



ONE CALL DOES IT ALL . . . one order form | one purchase order | one invoice

Follow us on . . .



Toll Free Tel: 1.888.433.6818 ▶ Toll Free Fax: 1.888.433.6834 ▶ www.motionconcepts.com

NEW Maxx Style Swing Away Elevating Pivot Plus Legrests (Power or Manual)

- New, compact and streamlined design; accommodates synchronized, combined or individual leg elevation
- Simple Knee-to-Heel adjustments: accommodates leg lengths from 10" to 20"
- Offers 1.5" Fore/Aft adjustability in addition to standard depth
- New quieter actuator
- Available as Power or Manual option
- Legrests easily swing away for forward transfers and can be removed from any position; push-button release allows the calf pads to swing back for clearance
- Height, depth and angle adjustable footplates and calf pads
- Multi-Axis Adjustable Angle Foot Plates come with rollers for environmental access and protection
- Available with straight or offset receivers
- Phono plug actuator connection on power option



NEW Multi-Axis Foot Plate Mount with built-in Heel Cups and Foot Positioning Straps

- Interfaces with LNX Power Center Mount Foot Platform, **NEW** Maxx Style Fixed Center Mount Foot Platform, **NEW** Maxx Style Swing Away Elevating Pivot Plus Legrests and Heavy-Duty 70° Swing Away Legrests
- Solid and easily adjustable clamping mechanism securely locks footplate in virtually any position
- Able to capture and secure complex foot and ankle positions
- Foot Plates flip up for transfers

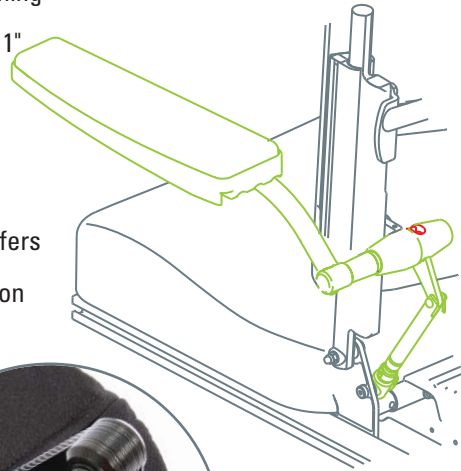
NEW Maxx Style Fixed Center Mount Foot Platform

- Pivot point sits below the seat pan and can be set at any of the 3 home positions:
 - 7° tucked under seat pan
 - 90° in front of the seat pan
 - 70° in front of the seat pan
- Accommodates Knee-to-Heel lengths (KTH's) from 13" to 21" with no additional parts
- Optional one-piece calf panel, individual calf pads, single foot platform and individual foot plates are interchangeable with the LNX Power Center Mount Foot Platform for modularity and parts continuity
- Designed to interface seamlessly with new Multi-Axis Angle Adjustable Foot Plate Mount with built-in heel cups and foot positioning straps



NEW Cane Mounted Height, Width, and Angle Adjustable Cantilever Flip Back Armrests

- Simple independent height and angle adjustment provides individualized support and comfortable positioning
- Width adjustment from a default of 0" to 0.5" or 1" per side; maximum 2" wider than the seat pan
- Available in two height profile configurations:
Straight - arm heights 9.5" to 13"
Curved - arm heights 12.5" to 16"
- Flips back easily for unobstructed lateral transfers
- Designed to interface seamlessly with all Motion Concepts arm pads and accessories



NEW Matrix Elan Headrest Hardware

- Infinite positioning possibilities
- Superior holding strength – multi-disk locking pivots stay securely in place once set
- Tool-free adjustment tabs for ease of repositioning, tooled adjustment also included for sleeker look
- Easier to set up and adjust - One tool, easy access to all adjustment points
- 1" ball mount allows attachment of widest range of Invacare and other aftermarket pads



NEW Matrix Headrest Pad

- Five headrest pad sizes
- Aluminum plate is lightweight and can be formed to shape
- Dual layer molded foam – firm layer prevents bottoming out, soft layer for immersion and comfort, made with Ultra-Fresh for anti-bacterial and odor protection
- Molded foam completely surrounds plate, and can be easily removed for shaping of plates, insertion of head array, switches, etc.
- Tailored Startex cover available fabric or reverse side out, easily removable for cleaning

Pad Sizes:

- 6" Standard Pad: 6" W x 3.5" H
- 10" Standard Pad: 10" W x 5" H
- 14" Standard Pad: 14" W x 5" H
- 9" Occipital Pad: 9" W x 7" H
- 12" Occipital Pad: 12" W x 8" H



NEW Residual Limb Support

- Available for Left or Right side
- Pad Size: 6.75" W x 9.75" L x 2" H
- Swing away and removable
- 50° of Angle adjustment
- 3.5" of Height adjustment
- 1.5" of Fore/Aft adjustment





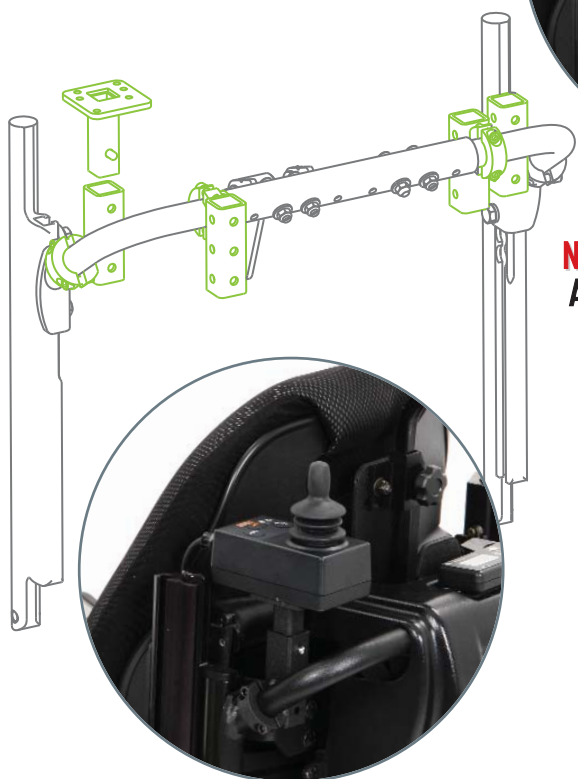
NEW Maxx Style Cable Cover

- Conceals and protects cords and cables for a streamlined look
- Easy to clean and remove for service
- Standard feature



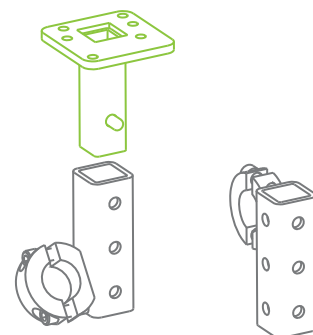
NEW Adjustable Clamp-on Push Handles

- Clamps directly on to Recline Push Bar
- Offers tool-free orientation and height adjustability
- Available in two profile configurations: Straight or Angled to accommodate preferred location on the Recline Push Bar



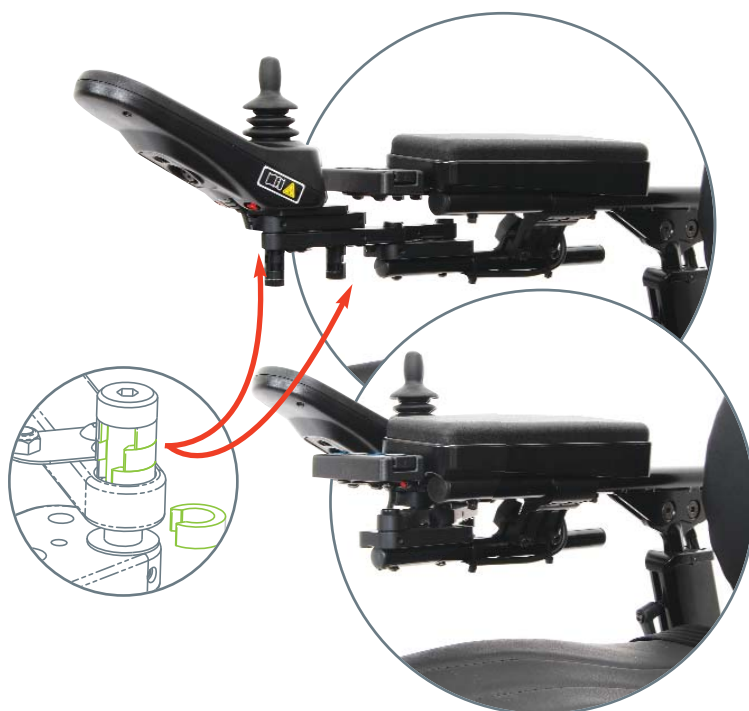
NEW Clamp-on, Removable Attendant Control Mounting Hardware

- Clamps directly onto Recline Push Bar
- Available in two profile configurations: Straight or Angled to accommodate preferred location on the Recline Push Bar



NEW Swing Away Quad Link Joystick Mounting Hardware

- Manual Swing Away feature allows easy repositioning of the Joystick for client comfort, transfers, or environmental access
- 1" total height adjustment in 1/4" increments by shifting the order of the spacer clips



Follow us on . . .



Toll Free Tel: 1.888.433.6818 ► Toll Free Fax: 1.888.433.6834 ► www.motionconcepts.com